

WEAR BELTING

A Division of Metwire Belts Ltd.

LITTLE POUNTNEY STREET

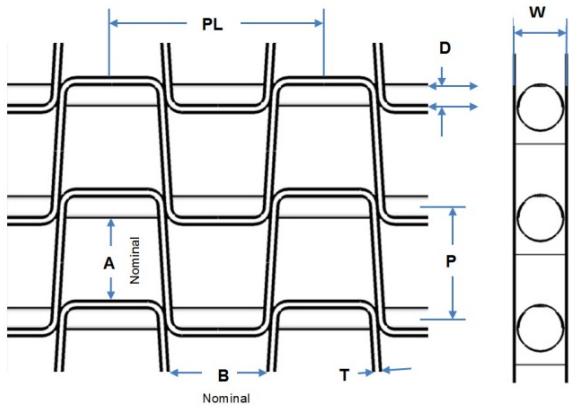
WOLVERHAMPTON

WV2 4JH

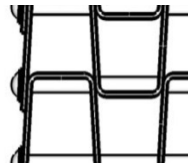
TELEPHONE: 01925 259058 FAX: 01925 418248

Honeycomb Belt

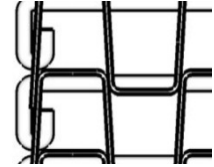
Information required to quote



Edge Finish



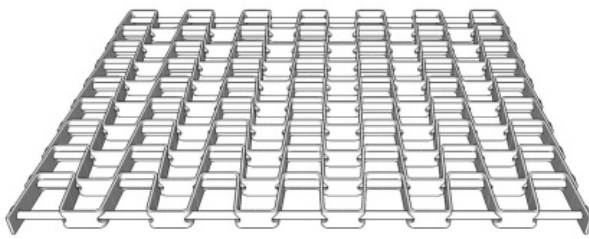
Welded Washer



Clenched

(Not available on all specifications)

To get more accurate measurements for dimensions 'P' measure over 10 pitches then divide by 10 this will give you the average



Number of Apertures across belt

'P'	Longitudinal Pitch	
'PL'	Lateral Pitch	
Strip	'W' Width	
	'T' Thickness	
'D'	Rod Diameter	
Material		
Length	Total Length of Belt	
Width	Overall width of Belt	
Apertures	Number across belt	
Selvedge	Edge Finish	

Standard Range

Belt Reference	Nominal Dimensions Inches - (mm) A x B x W x T/D	Longitudinal Pitch P	Lateral Pitch PL	Strip Width W	Strip Thickness T	Cross Rod Diameter D
1081A	1/2 x 1/2 x 3/8 x 18/11 (12.7x12.7x9.52x1.2/3.0)	0.506 (12.85)	1.14 (28.95)	3/8 (9.52)	18swg (1.2)	11swg (3.0)
1081B	1/2 x 1/2 x 3/8 x 18/11 (12.7x12.7x9.52x1.2/3.0)	0.540 (13.72)	1.14 (28.95)	3/8 (9.52)	18swg (1.2)	11swg (3.0)
1082A	1 x 1/2 x 3/8 x 18/11 (25.4 x 12.7 x 9.52 x 1.2/3.0)	1.125 (28.58)	1.218 (30.91)	3/8 (9.52)	18swg (1.2)	11swg (3.0)
1082B	1 x 1/2 x 3/8 x 18/11 (25.4 x 12.7 x 9.52 x 1.2/3.0)	1.084 (27.53)	1.198 (30.43)	3/8 (9.52)	18swg (1.2)	11swg (3.0)
1082C	1 x 1/2 x 3/8 x 18/11 (25.4 x 12.7 x 9.52 x 1.2/3.0)	1.062 (26.97)	1.198 (30.43)	3/8 (9.52)	18swg (1.2)	11swg (3.0)
1083	1 x 1 x 3/8 x 18/11 (25.4 x 25.4 x 9.52 x 1.2/3.0)	1.125 (28.58)	2.62 (52.37)	3/8 (9.52)	18swg (1.2)	11swg (3.0)
1084A	1 x 1/2 x 1/2 x 16/6 (25.4 x 12.7 x 12.7 x 1.63/4.88)	1.062 (26.97)	1.4 (35.56)	1/2 (12.7)	16swg (1.63)	6swg (4.88)
1084B	1 x 1 x 1/2 x 16/6 (25.4 x 25.4 x 12.7 x 1.63/4.88)	1.062 (26.97)	2.0 (50.8)	1/2 (12.7)	16swg (1.63)	6swg (4.88)
1085	1 x 1 x 5/8 x 16/6 (25.4 x 25.4 x 15.87 x 1.63/4.88)	1.125 (28.58)	2.0 (50.8)	5/8 (15.87)	16swg (1.63)	6swg (4.88)
1086	1.5 x 1.5 x 5/8 x 16/6 (38.1 x 38.1 x 15.87 x 1.63/4.88)	1.5 (38.1)	3.0 (76.2)	5/8 (15.87)	16swg (1.63)	6swg (4.88)
1088	2 x 2 x 5/8 x 16/6 (50.8 x 50.8 x 15.87 x 1.63/4.88)	2.0 (50.8)	4.0 (101.6)	5/8 (15.87)	16swg (1.63)	6swg (4.88)
1090	3 x 3 x 5/8 x 16/6 (76.2 x 76.2 x 15.87 x 1.63/4.88)	3.0 (76.2)	6.0 (152.4)	5/8 (15.87)	16swg (1.63)	6swg (4.88)